

BASIC - steel wheelchair with pneumatic rear or solid wheels 24"



max. load



guarantee



Pillow included



Tilting armrests



Medical device



CE certificate

BASIC - a steel wheelchair intended for people who have problems with independent movement and for people with disabilities and mobility limitations. It is intended for general use - transport, walks and short distances. The steel frame is stiff, which results in stability while driving.

What makes this wheelchair different?

PATIENT COMFORT - The wheelchair is equipped with tilt and removable footrests, and in the additional version - with adjustable footrests, which increases the comfort of using the wheelchair.

SIMPLE - steel wheelchair folds and unfolds quickly without using excessive force. When folded, the wheelchair weighs a maximum of 21 kg.

DURABILITY FOR YEARS - The steel frame will last for many years and will hold up to 135 kilograms (51 cm - seat size). The front wheels, on the other hand, are made of rubber, which guarantees longer life and resistance to abrasion.

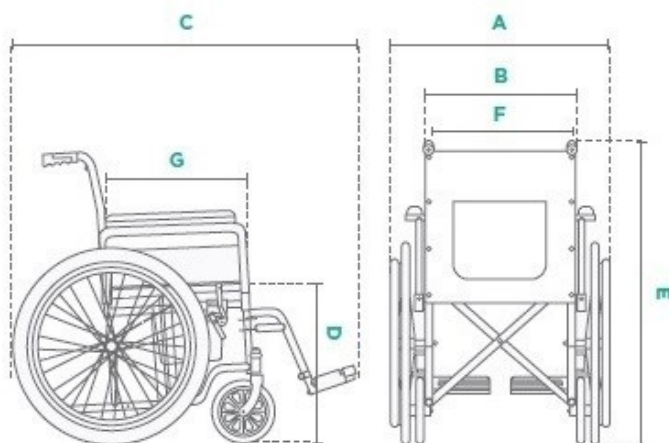
UNIVERSALITY - The wheelchair with a steel frame is equipped with rubber and pumped wheels, thanks to which the unevenness on the road is absorbed, so that it can be used anywhere, without restrictions.

Additional options:

- solid rubber rear wheels;
- footrests with adjustable angle of flexion;
- **brake for the rider in sizes 46 cm and 51 cm.**

Equipment:

- calf securing tape;
- pump;
- a set of keys.



A Overall width: 57-67 cm
B Inner width: 40, 43, 46, 48, 51 cm
C Overall depth: 104 cm
D Seat height from the ground: 50 cm
E Overall height: 91 cm (88 cm)
F x G Seat dimensions:
39, 42, 45, 47, 50 cm x 40 cm
Weight: 18.6-21 kg*
Maximum capacity*:
115 kg up to size 48 cm, 135 kg for size 51 cm*
Folded width: 30 cm
* depending on seat width
Frame colours: silver, black, dark blue
+/- 0.5 -1 cm